

LCD Optical Magnifier



Now You Can See It!
Joe Liburdi

Instructions for LCD Optical Magnifier

Now You Can See It!

Thank you for purchasing our handcrafted LCD Optical Magnifier. This product has been designed specifically for use with Sea & Sea point-and-shoot underwater digital camera systems, models DX-5000, DX-8000, and DX1G. It is also compatible with other compact underwater camera systems made by other manufacturers. Modifications may be required. Customization is available.

The primary function of the Magnifier is to enhance viewing and reduce glare on the LCD screen of compact underwater camera systems. It has been designed and engineered by underwater photographers for underwater photographers.

1. It will adjust to the proper distance to ensure the LCD screen is magnified and in sharp focus. With increased magnification, the symbols/icons on the screen are easy to read. Glare and reflected light are reduced and the ability to compose the shot is increased several fold.
2. The Magnifier can be adjusted to serve as a magnifying glass to better view gauges and small sea creatures. The Magnifier must be repositioned from the LCD to the side. The view in the LCD of symbols/icons and picture area will no longer be magnified.

Specifications

- Construction: Hand crafted in the USA
- Metal parts: 304 stainless steel
- Lens: 5-power magnifying glass lens. Capped with a stainless steel band and O-ring sealed within an Argon pressurized polycarbonate housing
- Lens size: with 2-inch diameter for Sea & Sea DX-5000 and DX-8000. 2.5-inch diameter for Sea & Sea DX-1G. Diameters up to and including 5 inches are available for custom-made magnifiers
- Shade: Rigid ABS plastic
- Accessories: Allen wrench, 1 spare O-rings, 1 spare hex screw
- Compatible systems: Digital cameras with rear facing 1 x 2, 2 x 2, and 1.5 x 2-inch viewing area

Warranty

The See Life Underwater Optics LCD Optical Magnifier is warranted for one year from date of purchase. Any modifications made to the Magnifier by the user/purchaser will void any warranty expressed by the manufacturer. The Magnifier is guaranteed to function safely to 130 feet, the safe diving limits set forth for recreational divers.

Care and Maintenance

The Magnifier shade bezel is constructed of high tensile corrosion-resistant stainless steel. The lens is optical glass. The lens housing is polycarbonate.

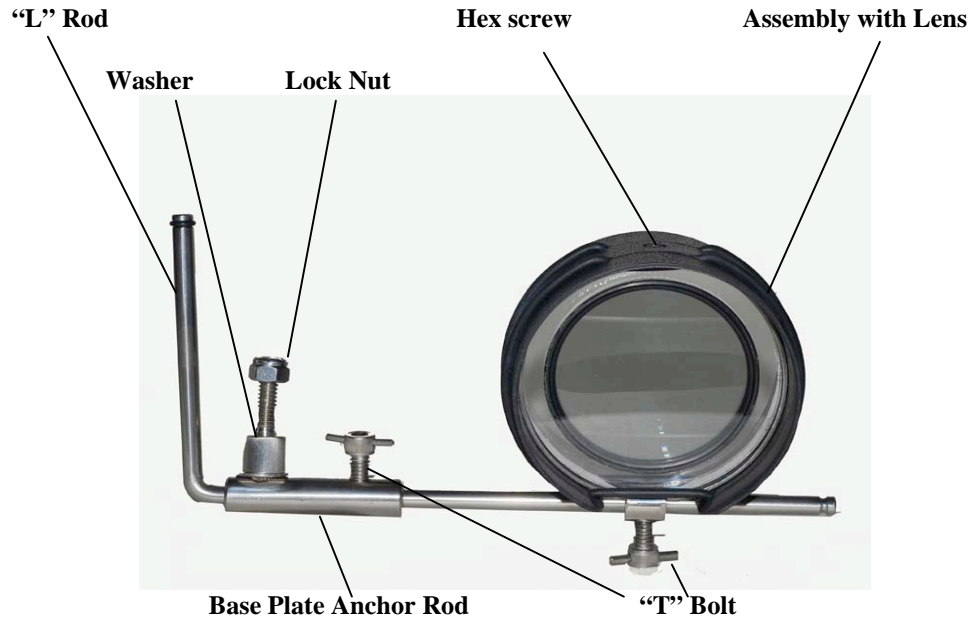
1. Treat the Magnifier gently; abusive handling can break or damage the parts.
2. Always rinse the Magnifier thoroughly in fresh water after use in seawater.
3. During extended diving vacations, it is recommended to unscrew all nuts and bolts every few days. Corrosion develops between dissimilar metals due to salt-water exposure. Wash them thoroughly in fresh water, dry, lubricate with a small amount of O-ring lubricant and put the unit back together securely.
4. Rinse lens in fresh water. Never use an abrasive on the lens or you will scratch and mar the surface. Never use alcohol, vinegar, cleaning solvents or paper towel. Use only a lens cloth or a micro fiber cloth to dry.
5. Dry all parts thoroughly before storage in a dry, chemically laden-free environment.

Caution

- Never attempt to remove lens or lens housing from the bezel. It will void the warranty.
- Always make sure that the Magnifier is securely mounted to prevent it from falling off, becoming lost or damaged, or causing system malfunction.
- This Magnifier has been engineered specifically for use with Sea & Sea Underwater Housing LCD DX-5000 and DX-8000 (2-inch) and DX-1G (2.5-inch). It is compatible with other compact underwater camera systems, but modifications may be required. Use with other systems without modification by Sea Life Optics may result in the Magnifier disengaging, becoming lost, and failing to function as described.
- When in use, check the screws and bolts and tighten if loosened. Sea Life Optics will not be responsible for any part that has disengaged, fallen off, become lost or damaged.
- Never use petroleum solvents, such as alcohol or paint thinner, to clean this product; such products might mar or otherwise damage the product's finish.
- Do not expose the lens to direct rays of sunlight. The lens is a magnifier. Light rays magnified through the lens can cause serious damage to your camera housing/start a fire. Keep it in the shade/covered at all times.
- Do not apply extreme pressure to or attempt to bend this Magnifier. Such stress may cause assembly to disengage, causing product damage or personal injury.
- Do not carry the camera system by the Magnifier assembly. It may disengage, causing product damage and personal injury.
- Do not attempt to modify this Magnifier. It will void the warranty.

Identification of Parts

The LCD Optical Magnifier comes assembled as shown: lens with shade attached, L-shaped adjustable rod, 2 rod O-rings, 1 stainless steel bushing, 2 stainless steel "T" bolts, 1 stainless steel 1/4-inch washer, 1 1/4-inch lock nut.



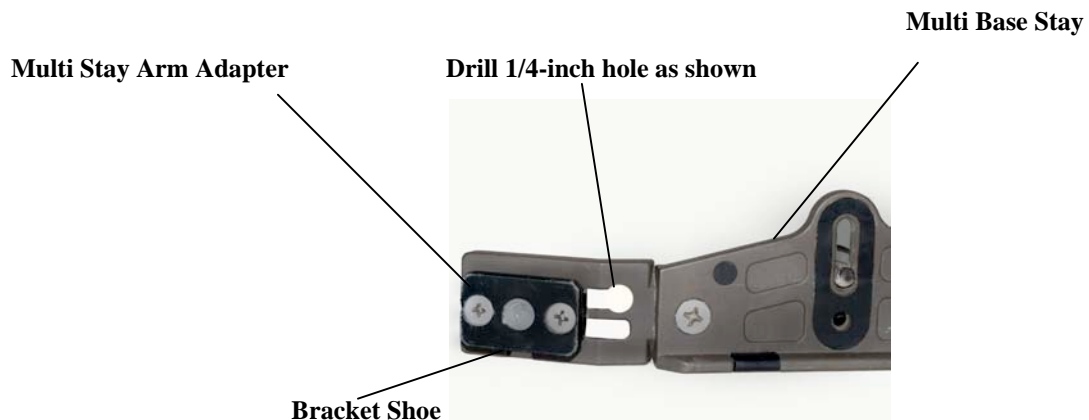
How to Mount to Base Stay

The LCD Optical Magnifier comes assembled. The only assembly required is attachment to the base stay.

To mount Magnifier assembly to base stay:

- Shown below are three of the most common DX Series base stays plates manufactured by Sea & Sea as of this writing. These base stays are universal and will adapt to most compact underwater housings manufactured by other companies. Custom installation may be required. Contact See Life Underwater Optics for additional information on the installation of housings other than those made by Sea & Sea.

Figure #1 Sea and Sea Multi Base Stay



- Drill a 1/4-inch hole as shown. This hole is needed to install the mounting rod to base stay adapter.

Figure #2: Sea and Sea Light Arm Base with solid arm adapter. 1/4" hole required.

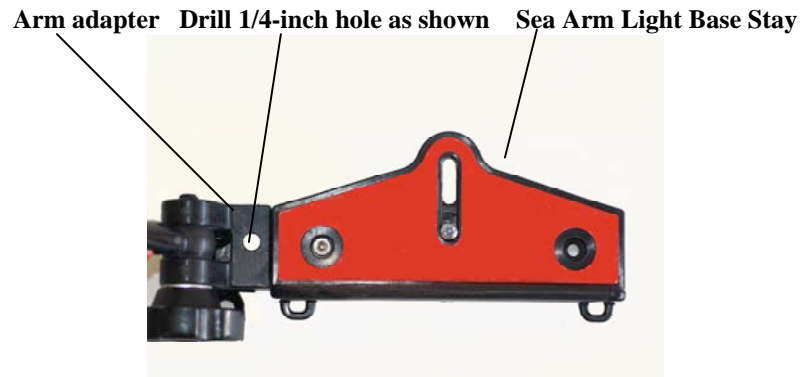


Figure #3: Sea and Sea Light Arm Base with rectangle slot. A See Life bushing is required to install the Magnifier to this type of base. Please order the bushing when ordering the Magnifier.



- Upon completion of Figure #1, #2, or #3, you are now ready to mount the mounting rod to the base stay as shown in Figure #4.
- Secure mounting rod to the base stay with washer and lock nut provided.

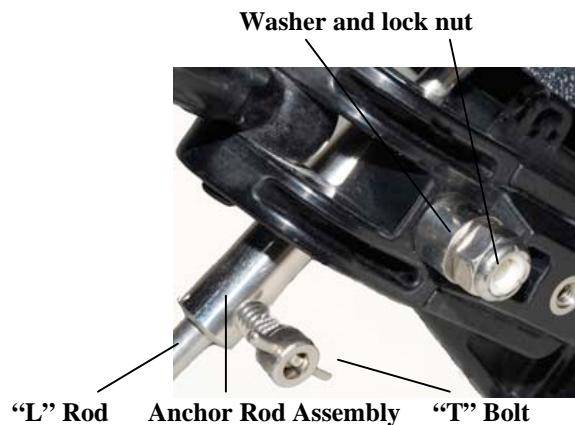
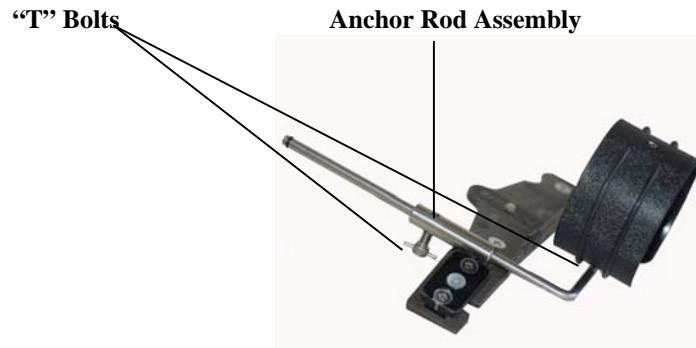
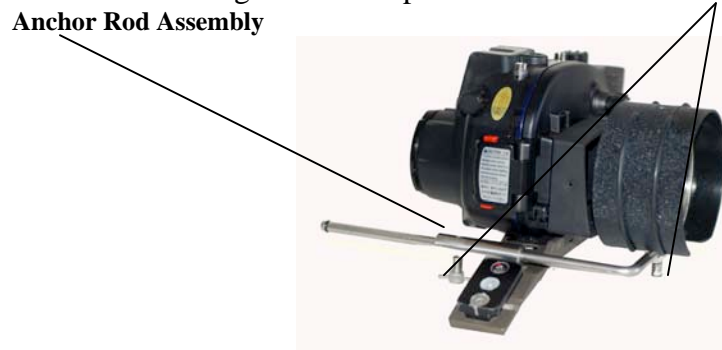


Figure #5

- Position “L” rod and Magnifier as shown on base plate. Tighten down “T” bolts to prevent the Magnifier from wobbling.



- Attach the camera housing to the base plate and secure “T” Bolts finger tight.



- When used in this position, the LCD screen can be brought into sharp focus by loosening the “T” Bolt on the Base Plate Anchor Rod Assembly and moving the Magnifier forward/backward on the long portion of the “L” Rod to accommodate individual needs. Remember to retighten the “T” Bolt securely after making the adjustment.

To use as a Magnifying Glass

Loosen the “T” Bolt and rotate the Magnifier as you desire. It rotates 360 degrees. Don’t forget to put it back into position over the housing LCD hood after using it as a magnifier.



Caution: The primary intent of the magnifier is to magnify the LCD screen and reduce glare. Other configurations are not advised. The Magnifier can be lost or damaged when altering the magnifiers intended use.

